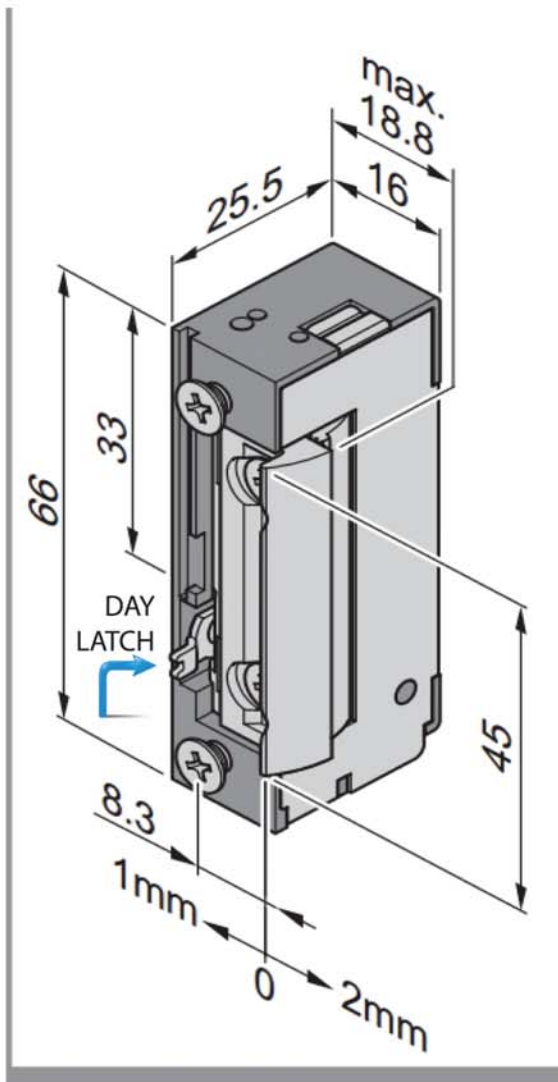


Day Time Latch for Panic Hardware

For our 9050 Series Terrace Door System

This feature allows the locking system to stay unlocked during the daily operations.

By flipping the day latch in the DOWN position this allows the locking bolt to secure into the locking position.
By flipping the day latch UP this allows the door to operate freely.



Technical attributes

Minimum fitting size - maximum effect
effeff Standard Strike 118 with FaFix® (FF)

The advantages at a glance

- Radius keep, FaFix®, adjustable by 3 mm
- Compatible with current mortise locks
- Compatible with striking plates with latch bolt slide
- Symmetrical design. DIN left/right as well as horizontal applicable

Characteristics

For latch bolt slide	•
Adjustable latch (FF, FaFix®)	•
Adjustable electric strike (F, Fix)	
Monitoring contact (RR)	
Mechanical unlocking (E)	•
Bi-directional diode	
Fail-locked	•
Fail-unlocked	

Technical attributes

Break-in resistance	3750 N
Height	66 mm
Width	16 mm
Depth	25,5 mm
FaFix® adjustment range	3 mm
Latch bolt engaging depth	5,5 mm
Operating temperature range	-15 °C to +40 °C
Installation position	vertical and horizontal
Load cycles for in-plant test	250000
Suitability for fire protection	No

DIN door swing directions

Universal	1
-----------	---

Order no.

118E130----- ** 1

WINDOOR
INCORPORATED